

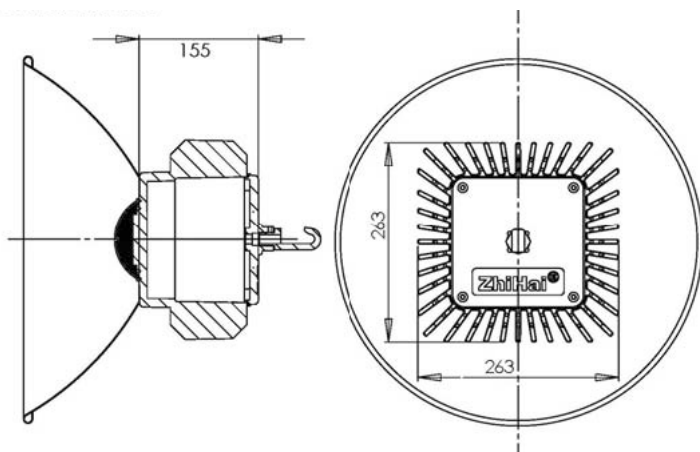
Zhihai® LED High Bay Light



Location: Calgary Airport, Canada
Item: Zhihai 150W LED High Bay, ZHHB-150A



Zhihai® LED High Bay Light



Features & Characteristic:

- Patent design, ideal for different applications
- 5-5-10 year warranty
- Osram/Cree LED chips, 120 lm/w system efficiency*
- 80% lumen maintenance over 50,000hours
- 0-10Vdc dimming driver available
- Built-in surge protection
- Built-in thermal protection
- Maintenance free
- Mercury free, No UV or IR
- Universal input without additional adapter, 80-315Vac, 80-400Vdc
- Instant start and flicker free
- High uniformity and color rendering
- Universal input without additional adapter

Typical Application:

Factory | Warehouse | Shopping Mall | Gymnasium | Show Room | Architecture | Plant Area | Petrol Station
Conference Centers | Cold Storage | Floodlighting

Model :	ZHHB-60A	ZHHB-90A	ZHHB-120A	ZHHB-150A	ZHHB-180A
Power	50W	80W	108W	135W	162W
Consumption :					
LEDs:	50W	80W	108W	135W	162W
Driver:	10W	10W	12W	15W	18W
Total:	60W	90W	120W	150W	180W
Initial Lumen Flux (6000K):	7200 lm	10800 lm	14400 lm	18000 lm	21600 lm
Replace HID Lamp:	100-150W	150-250W	250-300W	300W-400W	400W-600W
Dimension:	Lamp Body: 263x263x155mm / Lamp Shade: Ø400mm				
Net Weight:	8kg (17.6lbs)				
Color Temperature:	4000K (warm white) / 6000K (cool white)				
Color Rendering:	≥Ra75				
Working Life:	≥50000Hrs				
Housing:	Aluminum				
IP Class:	IP 65 (Upgradeable to IP 67)				
Insulation Class:	Class I (Upgradeable to Class II)				
Working Temperature:	-40C ~ 60C / -40F ~ 140F				
Working Humidity:	10% ~ 95%				
AC Input:	80 ~ 315Vac				
DC Input:	80 ~ 400Vdc, (12Vdc, 24Vdc and other input available on request)				
THD:	<10%				
Power Factor:	≥0.98				
Warranty:					
LED Module:	5 year				
Driver:	5 year				
Housing:	10 year				

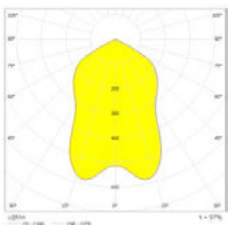
* 120lm/w only initial flux efficiency for the 6000K LED with 60° beam.

Zhihai® LED High Bay Light

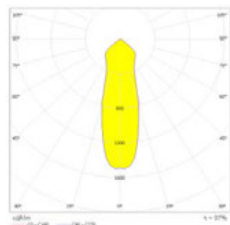
Accessories & Control Systems:

	Part Number	Description
	N/A	High Bay Hook included as default
	ZHHB-BR-FL	High Bay flood light bracket
	ZHHB-CV-GL	High Bay glass cover
	-DM	0-10vdc dimming driver

Beam Available:



60° Lamp Shade



30° Lamp Shade

Order Code: ZHHB-180A-6K-L60-ND-220Vac-3Y

ZHHB	- XX	- XX K	- L XX	- XX	- XX	-XX
Model						
Color	K = Thousand Kelvin					
Beam	L = Beam Angle					
Control	ND = Standard	DM = 10Vdc Dimming				
Input	220Vac = 80-315Vac	347Vac = 100-380Vac	12Vdc = 10-20Vdc	24Vdc = 20-40Vdc		
Warranty	3Y = 3 Year Warranty	5Y = 5 Year Warranty				