

ET1222H-S-DR

Hardened Self-Configured 1-port 10/100/1000Base-TX + 2-port 1000Base-FX SFP Ethernet Switch



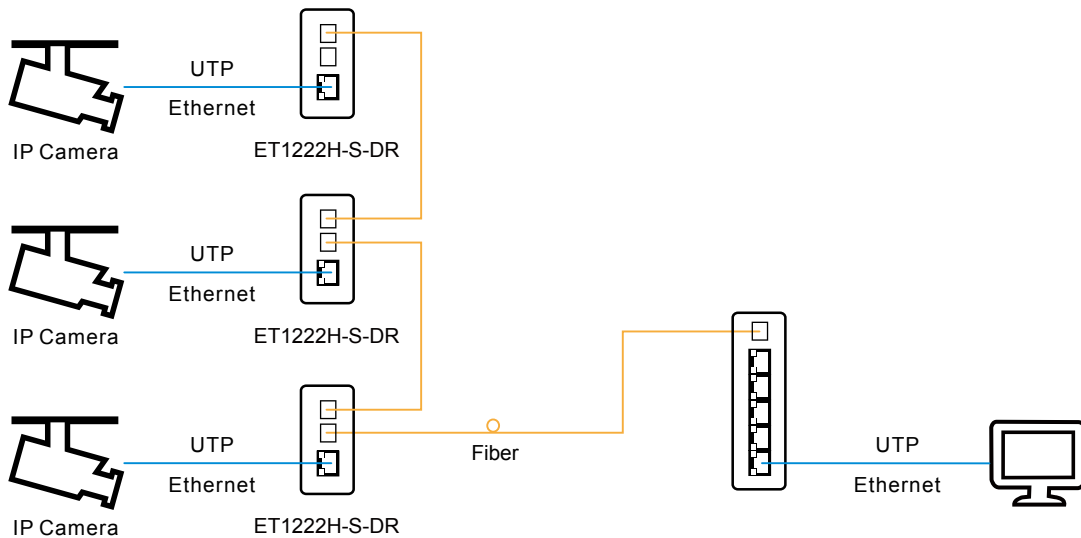
Features

- ▶ 1 10/100/1000Base-TX + 2 1000Base-FX SFP
- ▶ Automatically support IGMP (Multicasting)
- ▶ 10/100/1000Mbps RJ45 Port Supports Full/Half-duplex, Auto-negotiation, Auto MDI/MDIX
- ▶ Supports external 1000Base SFP
- ▶ Supports Light Hardware IGMP V1, V2, V3
- ▶ Supports 802.3x Flow control
- ▶ Supports Broadcast Storm Control
- ▶ 1M bits frame buffer memory
- ▶ 9K Bytes Jumbo Frame
- ▶ Supports Relay output for Power failure and port failure alarm
- ▶ Redundant Power Inputs
- ▶ Supports Wall-mount and DIN-Rail installation
- ▶ -40°C to 75°C (-40°F to 167°F) operating temperature

Warranty

- ▶ 5-Year Warranty

Typical Application



Specifications

Ethernet

Standards	IEEE802.3 10Base-T IEEE802.3u 100Base-TX IEEE802.3ab 1000Base-T IEEE802.3z 1000Base-X
Processing Type	Store-and-Forward
Switch Fabric	6 Gbps
Forward Filter Rate	14,880pps (10Mbps) 148,800pps (100Mbps) 1,488,000pps (1000Mbps)
Switching Fabric	6 Gbps
Packet Buffer Memory	1 Mbit
Max Packet Length	9K Bytes
Address Table Size	2048K MAC Addresses

Specifications

Interface

Connector	1 x RJ45
Optical Port	2 x 1000Base-FX SFP

Electrical and Mechanical

Input Power	2 x 12~48VDC, Redundant Power (6-pin Terminal Block)
Power Consumption	Max 5W
LED Indicators	
Power	Power1, Power2 Status
Ethernet (Per Port)	LINK/Activity
SFP	LINK
Dimensions (W x D x H)	31 x 120 x 148 mm
Weight	0.4Kg
Casing	Aluminum Case
Mounting options	DIN-Rail / Wall-mount

Environmental

Operating Temperature	-40°C to 75°C (-40°F to 167°F)
Storage Temperature	-40°C to 85°C (-40°F to 185°F)
Relative Humidity	5% to 95% non-condensing
MTBF	> 300,000 hrs

Regulatory Approvals

ISO9001, CE, FCC, RoHS	EMS
EMI	IEC 61000-4-2: 2008 (ESD)
EN55022:2010+AC: 2011, Class A	IEC 61000-4-3: 2010 (RS)
EN 61000-3-2: 2006+A1: 2009+A2: 2009	IEC 61000-4-4: 2012 (EFT)
EN 61000-3-3: 2013	IEC 61000-4-5: 2014 (Surge)
EN55024:2010	IEC 61000-4-6: 2013 (CS)
	IEC 61000-4-8: 2009 (PFMF)

Ordering Information

Available Model	Description
ET1222H-S-DR	Hardened Self-Configured 1-port 10/100/1000Base-TX + 2-port 1000Base-FX SFP Ethernet Switch
Optional Accessories (to be purchased separately)	
SFP	(S)=SFP Option. Please select your SFP on our SFP Modules page at the back of the catalogue or our website www.ot-systems.com for details.
Power Supply	Please refer to the power supply information at the back of the catalogue, our website www.ot-systems.com , or consult OTS sales at sales@ot-systems.com for your power system design properly.
Package Checklist	

■ Self-Configured Switch	x 1
■ Wall Mount Plates	x 1
■ DIN-Rail Clip	x 1
■ Quick Installation Guide	x 1



ET1222PpH-S-DR

Hardened Self-Configured 1-port 10/100/1000Base-TX(PoE+) + 2-port 1000Base-FX SFP Ethernet Switch



Features

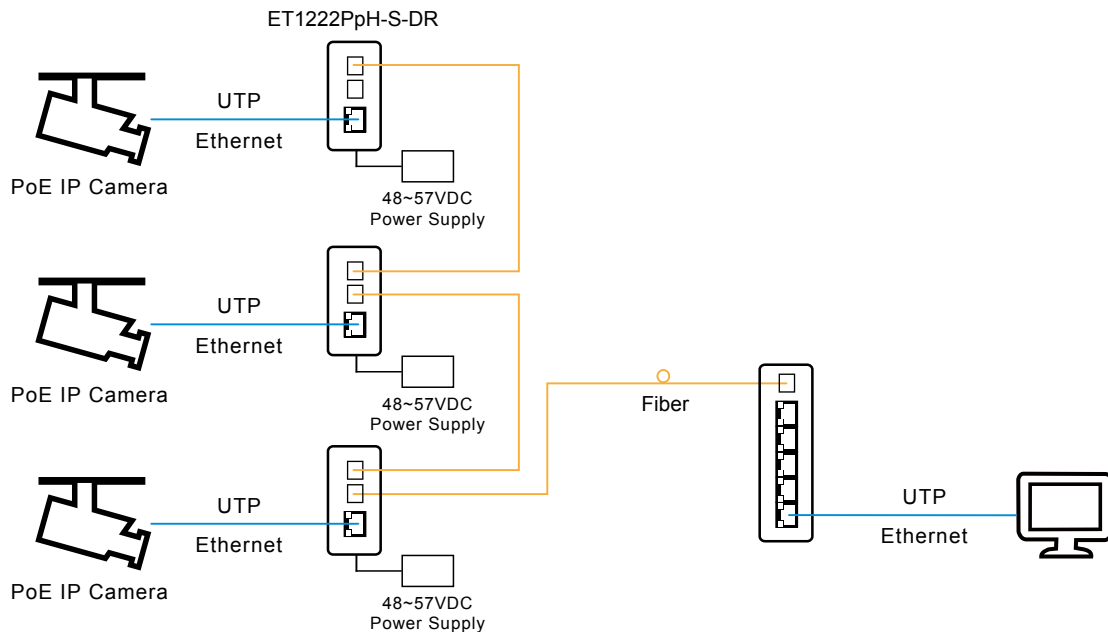
- ▶ 1 10/100/1000Base-TX + 2 1000Base-FX SFP
- ▶ Automatically support IGMP (Multicasting)
- ▶ 10/100/1000Mbps RJ45 Port Supports Full/Half-duplex, Auto-negotiation, Auto MDI/MDIX
- ▶ Supports IEEE 802.3at PoE+ (30W)
- ▶ Supports external 1000Base SFP
- ▶ Supports Light Hardware IGMP V1, V2, V3
- ▶ Supports 802.3x Flow control
- ▶ Supports Broadcast Storm Control
- ▶ 1M bits frame buffer memory
- ▶ 9K Bytes Jumbo Frame
- ▶ Supports Relay output for Power failure and port failure alarm
- ▶ Redundant Power Inputs
- ▶ Supports Wall-mount and DIN-Rail installation
- ▶ -40°C to 75°C (-40°F to 167°F) operating temperature



Warranty

- ▶ 5-Year Warranty

Typical Application



Specifications

Ethernet

Standards	IEEE802.3 10Base-T IEEE802.3u 100Base-TX IEEE802.3ab 1000Base-T IEEE802.3z 1000Base-X IEEE802.3af Power over Ethernet IEEE802.3at Power over Ethernet
Processing Type	Store-and-Forward
Forward Filter Rate	14,880pps (10Mbps) 148,800pps (100Mbps) 1,488,000pps (1000Mbps)
Switching Fabric	6 Gbps

Specifications

Packet Buffer Memory	1 Mbit
Max Packet Length	9K Bytes
Address Table Size	2048K MAC Addresses

Interface

Connector	1 x RJ45
Optical Port	2 x 1000Base-FX SFP

Electrical and Mechanical

Input Power	2 x 48~57VDC, Redundant Power (6-pin Terminal Block)
Power Consumption	35W
LED Indicators	
Power	Power1, Power2 Status
PoE	Per Port Status
Ethernet (Per Port)	LINK/Activity
SFP	LINK
Dimensions (W x D x H)	31 x 120 x 148 mm
Weight	0.4Kg
Casing	Aluminum Case
Mounting options	DIN-Rail / Wall-mount

Environmental

Operating Temperature	-40°C to 75°C (-40°F to 167°F)
Storage Temperature	-40°C to 85°C (-40°F to 185°F)
Relative Humidity	5% to 95% non-condensing
MTBF	> 200,000 hrs

Regulatory Approvals

ISO9001, CE, FCC, RoHS	EMS
EMI	IEC 61000-4-2: 2008 (ESD)
EN55022:2010+AC: 2011, Class A	IEC 61000-4-3: 2010 (RS)
EN 61000-3-2: 2006+A1: 2009+A2: 2009	IEC 61000-4-4: 2012 (EFT)
EN 61000-3-3: 2013	IEC 61000-4-5: 2014 (Surge)
EN55024:2010	IEC 61000-4-6: 2013 (CS)
	IEC 61000-4-8: 2009 (PFMF)

Ordering Information

Available Model	Description
ET1222PpH-S-DR	Hardened Self-Configured 1-port 10/100/1000Base-TX(PoE+) + 2-port 1000Base-FX SFP Ethernet Switch

Optional Accessories (to be purchased separately)

SFP	(S)=SFP Option. Please select your SFP on our SFP Modules page at the back of the catalogue or our website www.ot-systems.com for details.
Power Supply	Please refer to the power supply information at the back of the catalogue, our website www.ot-systems.com , or consult OTS sales at sales@ot-systems.com for your power system design properly.

Package Checklist

■ Self-Configured Switch	x 1
■ Wall Mount Plates	x 1
■ DIN-Rail Clip	x 1
■ Quick Installation Guide	x 1



ET2212H-S-DR

Hardened Self-Configured 2-port 10/100/1000Base-TX + 1-port 1000Base-FX SFP Ethernet Switch



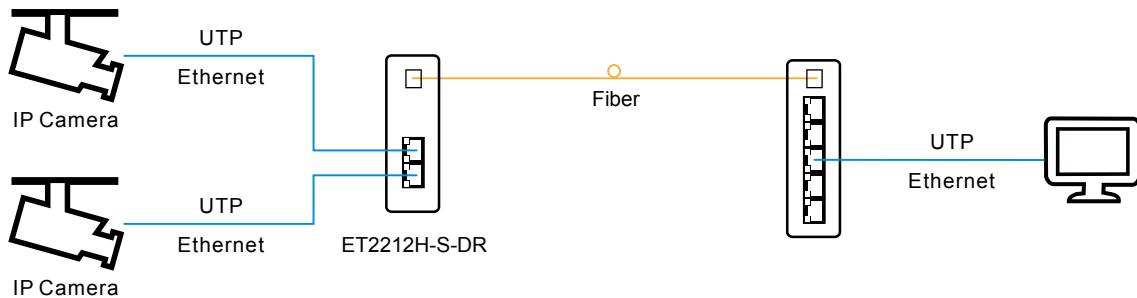
Features

- ▶ 2 10/100/1000Base-TX + 1 1000Base-FX SFP
- ▶ Automatically support IGMP (Multicasting)
- ▶ 10/100/1000Mbps RJ45 Port Supports Full/Half-duplex, Auto-negotiation, Auto MDI/MDIX
- ▶ Supports external 1000Base SFP
- ▶ Supports Light Hardware IGMP V1, V2, V3
- ▶ Supports 802.3x Flow control
- ▶ Supports Broadcast Storm Control
- ▶ 1M bits frame buffer memory
- ▶ 9K Bytes Jumbo Frame
- ▶ Supports Relay output for Power failure and port failure alarm
- ▶ Redundant Power Inputs
- ▶ Supports Wall-mount and DIN-Rail installation
- ▶ -40°C to 75°C (-40°F to 167°F) operating temperature

Warranty

- ▶ 5-Year Warranty

Typical Application



Specifications

Ethernet

Standards	IEEE802.3 10Base-T IEEE802.3u 100Base-TX IEEE802.3ab 1000Base-T IEEE802.3z 1000Base-X
Processing Type	Store-and-Forward
Switch Fabric	6 Gbps
Forward Filter Rate	14,880pps (10Mbps) 148,800pps (100Mbps) 1,488,000pps (1000Mbps)
Switching Fabric	6 Gbps
Packet Buffer Memory	1 Mbit
Max Packet Length	9K Bytes
Address Table Size	2048K MAC Addresses

Interface

Connector	2 x RJ45
Optical Port	1 x 1000Base-FX SFP

Specifications

Electrical and Mechanical

Input Power	2 x 12~48VDC, Redundant Power (6-pin Terminal Block)
Power Consumption	Max 5W
LED Indicators	
Power	Power1, Power2 Status
Ethernet (Per Port)	LINK/Activity
SFP	LINK
Dimensions (W x D x H)	31 x 120 x 148 mm
Weight	0.4Kg
Casing	Aluminum Case
Mounting options	DIN-Rail / Wall-mount

Environmental

Operating Temperature	-40°C to 75°C (-40°F to 167°F)
Storage Temperature	-40°C to 85°C (-40°F to 185°F)
Relative Humidity	5% to 95% non-condensing
MTBF	> 300,000 hrs

Regulatory Approvals

ISO9001, CE, FCC, RoHS

EMI

EN55022:2010+AC: 2011, Class A

EN 61000-3-2: 2006+A1: 2009+A2: 2009

EN 61000-3-3: 2013

EN55024:2010

EMS

IEC 61000-4-2: 2008 (ESD)

IEC 61000-4-3: 2010 (RS)

IEC 61000-4-4: 2012 (EFT)

IEC 61000-4-5: 2014 (Surge)

IEC 61000-4-6: 2013 (CS)

IEC 61000-4-8: 2009 (PFMF)

Ordering Information

Available Model	Description
-----------------	-------------

ET2212H-S-DR	Hardened Self-Configured 2-port 10/100/1000Base-TX + 1-port 1000Base-FX SFP Ethernet Switch
---------------------	---

Optional Accessories (to be purchased separately)

SFP	(S)=SFP Option. Please select your SFP on our SFP Modules page at the back of the catalogue or our website www.ot-systems.com for details.
Power Supply	Please refer to the power supply information at the back of the catalogue, our website www.ot-systems.com , or consult OTS sales at sales@ot-systems.com for your power system design properly.

Package Checklist

■ Self-Configured Switch	x 1
■ Wall Mount Plates	x 1
■ DIN-Rail Clip	x 1
■ Quick Installation Guide	x 1



OT Systems Ltd., January 2016

Due to continuous improvement, all product specifications are subject to change without further notice.

ET2212PpH-S-DR

Hardened Self-Configured 2-port 10/100/1000Base-TX(PoE+) + 1-port 1000Base-FX SFP Ethernet Switch



Features

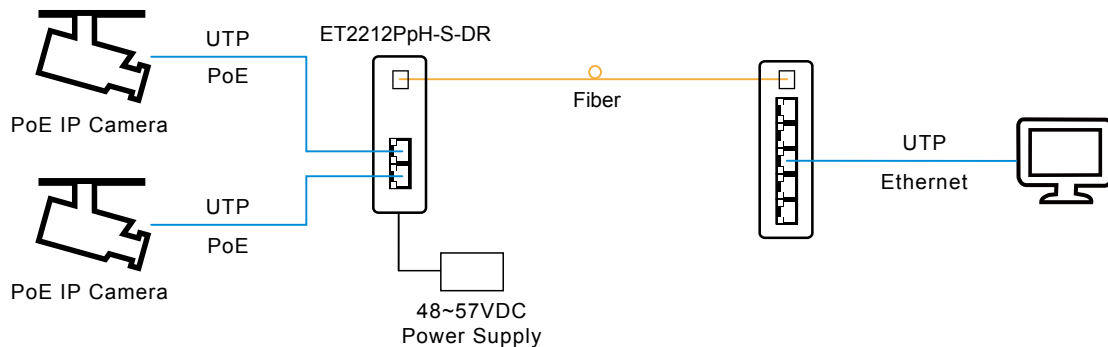
- ▶ 2 10/100/1000Base-TX + 1 1000Base-FX SFP
- ▶ Automatically support IGMP (Multicasting)
- ▶ 10/100/1000Mbps RJ45 Port Supports Full/Half-duplex, Auto-negotiation, Auto MDI/MDIX
- ▶ Supports IEEE 802.3at PoE+ (30W)
- ▶ Supports external 1000Base SFP
- ▶ Supports Light Hardware IGMP V1, V2, V3
- ▶ Supports 802.3x Flow control
- ▶ Supports Broadcast Storm Control
- ▶ 1M bits frame buffer memory
- ▶ 9K Bytes Jumbo Frame
- ▶ Supports Relay output for Power failure and port failure alarm
- ▶ Redundant Power Inputs
- ▶ Supports Wall-mount and DIN-Rail installation
- ▶ -40°C to 75°C (-40°F to 167°F) operating temperature



Warranty

- ▶ 5-Year Warranty

Typical Application



Specifications

Ethernet

Standards	IEEE802.3 10Base-T IEEE802.3u 100Base-TX IEEE802.3ab 1000Base-T IEEE802.3z 1000Base-X IEEE802.3af Power over Ethernet IEEE802.3at Power over Ethernet
Processing Type	Store-and-Forward
Forward Filter Rate	14,880pps (10Mbps) 148,800pps (100Mbps) 1,488,000pps (1000Mbps)
Switching Fabric	6 Gbps
Packet Buffer Memory	1 Mbit
Max Packet Length	9K Bytes
Address Table Size	2048K MAC Addresses

Interface

Connector	2 x RJ45
Optical Port	1 x 1000Base-FX SFP

Specifications

Electrical and Mechanical

Input Power	2 x 48~57VDC, Redundant Power (6-pin Terminal Block)
Power Consumption	65W
LED Indicators	
Power	Power1, Power2 Status
PoE	Per Port Status
Ethernet (Per Port)	LINK/Activity
SFP	LINK
Dimensions (W x D x H)	31 x 120 x 148 mm
Weight	0.4Kg
Casing	Aluminum Case
Mounting options	DIN-Rail / Wall-mount

Environmental

Operating Temperature	-40°C to 75°C (-40°F to 167°F)
Storage Temperature	-40°C to 85°C (-40°F to 185°F)
Relative Humidity	5% to 95% non-condensing
MTBF	> 200,000 hrs

Regulatory Approvals

ISO9001, CE, FCC, RoHS
 EMI
 EN55022:2010+AC: 2011, Class A
 EN 61000-3-2: 2006+A1: 2009+A2: 2009
 EN 61000-3-3: 2013
 EN55024:2010
 EMS
 IEC 61000-4-2: 2008 (ESD)
 IEC 61000-4-3: 2010 (RS)
 IEC 61000-4-4: 2012 (EFT)
 IEC 61000-4-5: 2014 (Surge)
 IEC 61000-4-6: 2013 (CS)
 IEC 61000-4-8: 2009 (PFMF)

Ordering Information

Available Model	Description
-----------------	-------------

ET2212PpH-S-DR	Hardened Self-Configured 2-port 10/100/1000Base-TX(PoE+) + 1-port 1000Base-FX SFP Ethernet Switch
-----------------------	---

Optional Accessories (to be purchased separately)

SFP (S)=SFP Option. Please select your SFP on our SFP Modules page at the back of the catalogue or our website www.ot-systems.com for details.

Power Supply Please refer to the power supply information at the back of the catalogue, our website www.ot-systems.com, or consult OTS sales at sales@ot-systems.com for your power system design properly.

Package Checklist

■ Self-Configured Switch	x 1
■ Wall Mount Plates	x 1
■ DIN-Rail Clip	x 1
■ Quick Installation Guide	x 1



ET222H-S-DR

Hardened Self-Configured 2-port 10/100/1000Base-TX + 2-port 1000Base-FX SFP Ethernet Switch



Features

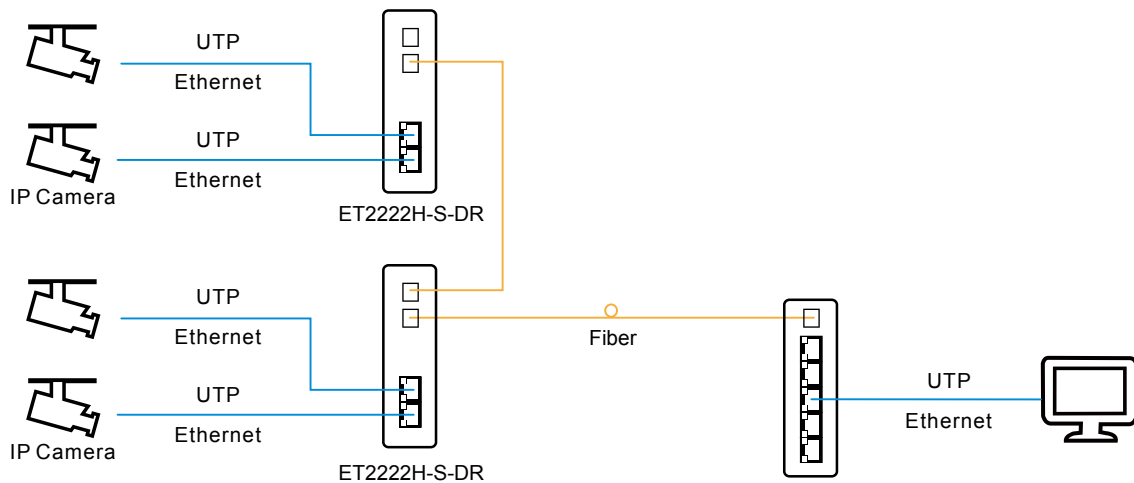
- ▶ 2x10/100/1000Base-TX + 2x1000Base-FX SFP
- ▶ Automatically support IGMP (Multicasting)
- ▶ 10/100/1000Mbps RJ45 Port Supports Full/Half-duplex, Auto-negotiation, Auto MDI/MDIX
- ▶ Supports external 1000Base SFP
- ▶ Supports Light Hardware IGMP V1, V2, V3
- ▶ Supports 802.3x Flow control
- ▶ Supports Broadcast Storm Control
- ▶ 1M bits frame buffer memory
- ▶ 9K Bytes Jumbo Frame
- ▶ Supports Relay output for Power failure and port failure alarm
- ▶ Redundant Power Inputs
- ▶ Supports Wall-mount and DIN-Rail installation
- ▶ -40°C to 75°C (-40°F to 167°F) operating temperature



Warranty

- ▶ 5-Year Warranty

Typical Application



Specifications

Ethernet

Standards	IEEE802.3 10Base-T IEEE802.3u 100Base-TX IEEE802.3ab 1000Base-T IEEE802.3z 1000Base-X
Processing Type	Store-and-Forward
Forward Filter Rate	14,880pps (10Mbps) 148,800pps (100Mbps) 1,488,000pps (1000Mbps)
Switching Fabric	8 Gbps
Packet Buffer Memory	1 Mbit
Max Packet Length	9K Bytes
Address Table Size	2048K MAC Addresses

Interface

Connector	2 x RJ45
Optical Port	2 x 1000Base-FX SFP

Specifications

Electrical and Mechanical

Input Power	2 x 12~48VDC, Redundant Power (6-pin Terminal Block)
Power Consumption	Max 5W
LED Indicators	
Power	Power1, Power2 Status
Ethernet (Per Port)	LINK/Activity
SFP	LINK
Dimensions (W x D x H)	31 x 120 x 148 mm
Weight	0.4Kg
Casing	Aluminum Case
Mounting options	DIN-Rail / Wall-mount

Environmental

Operating Temperature	-40°C to 75°C (-40°F to 167°F)
Storage Temperature	-40°C to 85°C (-40°F to 185°F)
Relative Humidity	5% to 95% non-condensing
MTBF	> 300,000 hrs

Regulatory Approvals

ISO9001, CE, FCC, RoHS

EMI

EN55022:2010+AC: 2011, Class A

EN 61000-3-2: 2006+A1: 2009+A2: 2009

EN 61000-3-3: 2013

EN55024:2010

EMS

IEC 61000-4-2: 2008 (ESD)

IEC 61000-4-3: 2010 (RS)

IEC 61000-4-4: 2012 (EFT)

IEC 61000-4-5: 2014 (Surge)

IEC 61000-4-6: 2013 (CS)

IEC 61000-4-8: 2009 (PFMF)

Ordering Information

Available Model	Description
-----------------	-------------

ET2222H-S-DR	Hardened Self-configured 2-port 10/100/1000Base-TX + 2-port 1000Base-FX SFP Ethernet Switch
---------------------	---

Optional Accessories (to be purchased separately)

SFP	(S)=SFP Option. Please select your SFP on our SFP Modules page at the back of the catalogue or our website www.ot-systems.com for details.
Power Supply	Please refer to the power supply information at the back of the catalogue, our website www.ot-systems.com , or consult OTS sales at sales@ot-systems.com for your power system design properly.

Package Checklist

■ Self-Configured Switch	x 1
■ Wall Mount Plates	x 1
■ DIN-Rail Clip	x 1
■ Quick Installation Guide	x 1



OT Systems Ltd., March 2016

Due to continuous improvement, all product specifications are subject to change without further notice.

ET2222PpH-S-DR

Hardened Self-Configured 2-port 10/100/1000Base-TX(PoE+) + 2-port 1000Base-FX SFP Ethernet Switch



Features

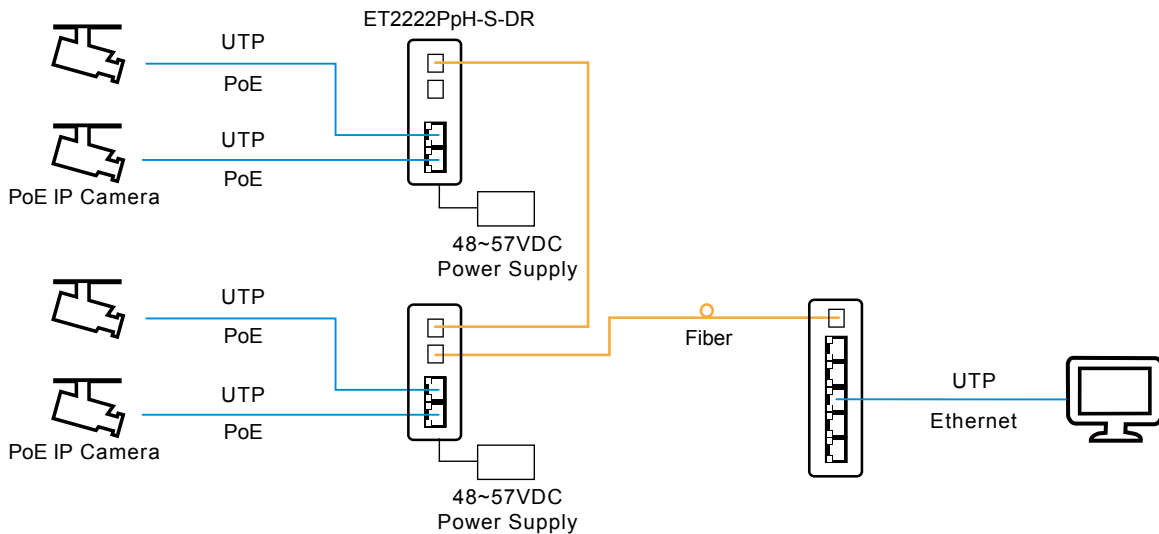
- ▶ 2x10/100/1000Base-TX + 2x1000Base-FX SFP
- ▶ Automatically support IGMP (Multicasting)
- ▶ 10/100/1000Mbps RJ45 Port Supports Full/Half-duplex, Auto-negotiation, Auto MDI/MDIX
- ▶ Supports IEEE 802.3at PoE+ (30W)
- ▶ Supports external 1000Base SFP
- ▶ Supports Light Hardware IGMP V1, V2, V3
- ▶ Supports 802.3x Flow control
- ▶ Supports Broadcast Storm Control
- ▶ 1M bits frame buffer memory
- ▶ 9K Bytes Jumbo Frame
- ▶ Supports Relay output for Power failure and port failure alarm
- ▶ Redundant Power Inputs
- ▶ Supports Wall-mount and DIN-Rail installation
- ▶ -40°C to 75°C (-40°F to 167°F) operating temperature



Warranty

- ▶ 5-Year Warranty

Typical Application



Self-configured / Smart Ethernet Switches

Specifications

Ethernet

Standards	IEEE802.3 10Base-T
	IEEE802.3u 100Base-TX
	IEEE802.3ab 1000Base-T
	IEEE802.3z 1000Base-X
	IEEE802.3af Power over Ethernet
	IEEE802.3at Power over Ethernet
Processing Type	Store-and-Forward
Forward Filter Rate	14,880pps (10Mbps)
	148,800pps (100Mbps)
	1,488,000pps (1000Mbps)
Switching Fabric	8 Gbps
Packet Buffer Memory	1 Mbit
Max Packet Length	9K Bytes
Address Table Size	2048K MAC Addresses

Specifications

Interface

Connector	2 x RJ45
Optical Port	2 x 1000Base-FX SFP

Electrical and Mechanical

Input Power	2 x 48~57VDC, Redundant Power (6-pin Terminal Block)
Power Consumption	Max. 65W
LED Indicators	
Power	Power1, Power2 Status
PoE	Per Port Status
Ethernet (Per Port)	LINK/Activity
SFP	LINK
Dimensions (W x D x H)	31 x 120 x 148 mm
Weight	0.4Kg
Casing	Aluminum Case
Mounting options	DIN-Rail / Wall-mount

Environmental

Operating Temperature	-40°C to 75°C (-40°F to 167°F)
Storage Temperature	-40°C to 85°C (-40°F to 185°F)
Relative Humidity	5% to 95% non-condensing
MTBF	> 200,000 hrs

Regulatory Approvals

ISO9001, CE, FCC, RoHS
 EMI
 EN55022:2010+AC: 2011, Class A
 EN 61000-3-2: 2006+A1: 2009+A2: 2009
 EN 61000-3-3: 2013
 EN55024:2010
 EMS
 IEC 61000-4-2: 2008 (ESD)
 IEC 61000-4-3: 2010 (RS)
 IEC 61000-4-4: 2012 (EFT)
 IEC 61000-4-5: 2014 (Surge)
 IEC 61000-4-6: 2013 (CS)
 IEC 61000-4-8: 2009 (PFMF)

Ordering Information

Available Model	Description
-----------------	-------------

ET2222PpH-S-DR	Hardened Self-configured 2-port 10/100/1000Base-TX(PoE+) + 2-port 1000Base-FX SFP Ethernet Switch
-----------------------	---

Optional Accessories (to be purchased separately)

SFP	(S)=SFP Option. Please select your SFP on our SFP Modules page at the back of the catalogue or our website www.ot-systems.com for details.
Power Supply	Please refer to the power supply information at the back of the catalogue, our website www.ot-systems.com , or consult OTS sales at sales@ot-systems.com for your power system design properly.

Package Checklist

■ Self-Configured Switch	x 1
■ Wall Mount Plates	x 1
■ DIN-Rail Clip	x 1
■ Quick Installation Guide	x 1



ET4222 Series

Hardened / Industrial IP CCTV Self-Configured 4-port 10/100/1000Base-TX + 2-port 1000Base-FX SFP Ethernet Switch



Features

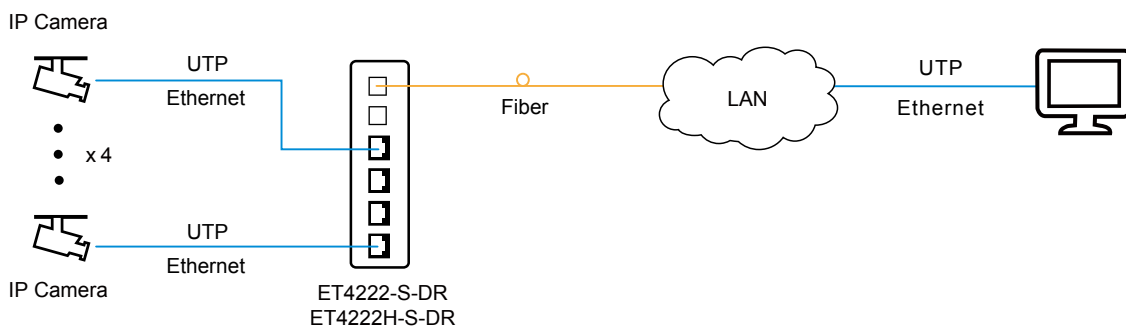
- ▶ 4 10/100/1000Base-TX + 2 1000Base-FX SFP
- ▶ Automatically support IGMP (Multicasting)
- ▶ 10/100/1000Mbps RJ45 Port Supports Full/Half-duplex, Auto-negotiation, Auto MDI/MDIX
- ▶ Supports external 1000Base SFP
- ▶ Supports Light Hardware IGMP V1, V2, V3
- ▶ Supports 802.3x Flow control
- ▶ Supports Broadcast Storm Control
- ▶ 1M bits frame buffer memory
- ▶ 9K Bytes Jumbo Frame
- ▶ Supports Relay output for Power failure
- ▶ Redundant Power Inputs
- ▶ Supports Wall-mount and DIN-Rail installation
- ▶ -40°C to 75°C (-40°F to 167°F) operating temperature



Warranty

- ▶ 5-Year Warranty

Typical Application



Specifications

Ethernet

Standards	IEEE802.3 10Base-T IEEE802.3u 100Base-TX IEEE802.3ab 1000Base-T IEEE802.3z 1000Base-X
Processing Type	Store-and-Forward
Switch Fabric	12 Gbps
Forward Filter Rate	14,880pps (10Mbps) 148,800pps (100Mbps) 1,488,000pps (1000Mbps)
Packet Buffer Memory	1 Mbit
Max. Packet Length	9K Bytes
Address Table Size	2048K MAC Addresses

Interface

Connector	4 x RJ45
Optical Port	2 x 1000Base-FX SFP

Electrical and Mechanical

Input Power	12~48VDC, Redundant Power (6-pin Terminal Block)
-------------	---

Specifications

Power Consumption	Max 5W
LED Indicators	
Power	Power1, Power2 Status
Ethernet (Per Port)	LINK/Activity
SFP	LINK/Activity
Dimensions (W x D x H)	31 x 120 x 148 mm
Weight	0.5Kg
Casing	Aluminum Case
Mounting options	DIN-Rail / Wall-mount

Environmental

Operating Temperature	
Hardened	-40°C to 75°C (-40°F to 167°F)
Industrial	-10°C to 60°C (14°F to 140°F)
Storage Temperature	-40°C to 85°C (-40°F to 185°F)
Relative Humidity	5% to 95% non-condensing
MTBF	> 300,000 hrs

Regulatory Approvals

ISO9001
 EN55022:2010+AC: 2011, Class A
 EN 61000-3-2: 2006+A1: 2009+A2: 2009
 EN 61000-3-3: 2013
 EN55024:2010
 IEC 61000-4-2: 2008 (ESD)
 IEC 61000-4-3: 2010 (RS)
 IEC 61000-4-4: 2012 (EFT)
 IEC 61000-4-5: 2014 (Surge)
 IEC 61000-4-6: 2013 (CS)
 IEC 61000-4-8: 2009 (PFMF)

Ordering Information

Available Model	Description
ET4222-S-DR	Industrial IP CCTV Self-Configured 4-port 10/100/1000Base-TX + 2-port 1000Base-FX SFP Ethernet Switch
ET4222H-S-DR	Hardened IP CCTV Self-Configured 4-port 10/100/1000Base-TX + 2-port 1000Base-FX SFP Ethernet Switch

Optional Accessories (to be purchased separately)

SFP	(S)=SFP Option. Please select your SFP on our SFP Modules page at the back of the catalogue or our website www.ot-systems.com for details.
Power Supply	Please refer to the power supply information at the back of the catalogue, our website www.ot-systems.com , or consult OTS sales at sales@ot-systems.com for your power system design properly.

Package Checklist

■ IP CCTV Self-Configured Network Switch	x 1
■ Wall Mount Plates	x 1
■ DIN Rail Clip	x 1
■ Quick Installation Guide	x 1



ET4222Pp Series

Hardened / Industrial IP CCTV Self-Configured 4-port 10/100/1000Base-TX (PoE+) + 2-port 1000Base-FX SFP Ethernet Switch



Features

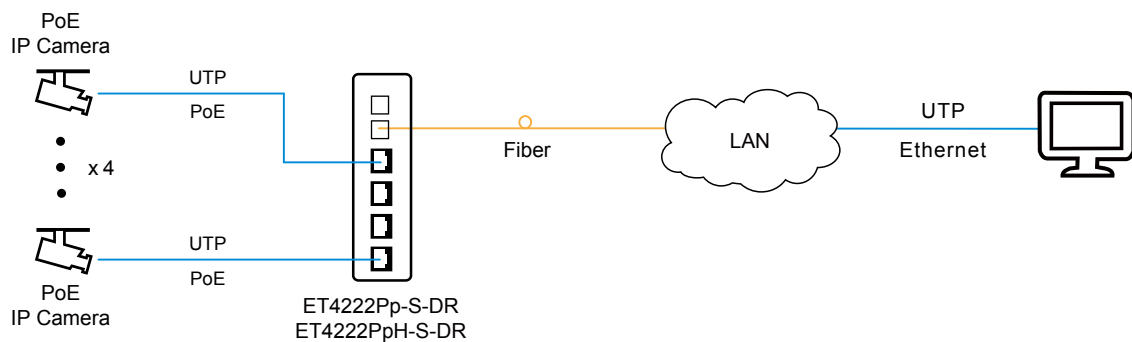
- ▶ Automatically support IGMP (Multicasting)
- ▶ Supports 10/100/1000Mbps-Full/Half-duplex, Auto-negotiation, Auto MDI/MDI-X
- ▶ Supports external 1000Base SFP
- ▶ Supports Daisy-Chain connection
- ▶ Supports IEEE 802.3at PoE+ (30W per port)
- ▶ Supports Light Hardware IGMP V1, V2, V3
- ▶ Supports Broadcast Storm Control
- ▶ Supports Relay output for power failure
- ▶ 1M bits frame buffer memory
- ▶ Supports 9K Bytes Jumbo Frame
- ▶ Supports Energy Efficient Ethernet IEEE802.3az
- ▶ Redundant Power Inputs
- ▶ Supports Wall-mount and DIN-Rail installation
- ▶ Environmentally hardened
-40°C to 75°C (-40°F to 167°F) operating temperature



Warranty

- ▶ 5-Year Warranty

Typical Application



Specifications

Ethernet	
Standards	IEEE802.3 10Base-T IEEE802.3u 100Base-TX/FX IEEE802.3ab 1000Base-T IEEE802.3z 1000Base-X IEEE802.3af Power over Ethernet IEEE802.3at Power over Ethernet
Processing Type	Store-and-Forward
Switch Fabric	12 Gbps
Forward Filter Rate	14,880pps (10Mbps) 148,800pps (100Mbps) 1,488,000pps (1000Mbps)
Packet Buffer Memory	1 Mbit
Max. Packet Length	9K Bytes Jumbo Frame
Address Table Size	2048K MAC Addresses
Connector	4 x RJ45
Optical Port	2 x SFP 1000Base-FX

Electrical and Mechanical

Input Power	2 x 48~57VDC (Terminal Block)
-------------	-------------------------------

Specifications

Power Consumption	5W Max. 0.1A@48VDC (PoE not in use) 135W Max. 2.8A@48VDC (PoE in use)
Protection	
Power Input Overload	Automatic Resettable
Reverse Polarity	Present
LED Indicators	
Power	Power Status
Ethernet (Per Port)	LINK/Activity
SFP	LINK/Activity
PoE	
Standard	IEEE802.3at
Port	RJ45 Port1~Port4
Max. Power per port	30W Max per port (Alternative A mode)
Dimensions (W x D x H)	31 x 120 x 148 mm
Weight	0.5Kg
Casing	Aluminum Case
Mounting options	DIN-Rail / Wall-mount

Environmental

Operating Temperature	
Hardened	-40°C to 75°C (-40°F to 167°F)
Industrial	-10°C to 60°C (14°F to 140°F)
Storage Temperature	-40°C to 85°C (-40°F to 185°F)
Relative Humidity	5% to 95% non-condensing
MTBF	> 200,000 hrs

Regulatory Approvals

ISO9001,CE, FCC, RoHS	EMS
EMI	IEC 61000-4-2:2008(ESD)
EN55022:2010+AC:2011, Class A	IEC 61000-4-3:2010(RS)
EN61000-3-2:2006+A1: 2009+A2:2009	IEC 61000-4-4:2012(EFT)
EN61000-3-3: 2013	IEC61000-4-5: 2014(Surge)
EN55024:2010	IEC61000-4-6:2013(CS)
	IEC61000-4-8:2009(PFMF)

Ordering Information

Available Model	Description
ET4222Pp-S-DR	Industrial IP CCTV Self-Configured 4-port 10/100/1000Base-TX (PoE+) + 2-port 1000Base-FX SFP Ethernet Switch
ET4222PpH-S-DR	Hardened IP CCTV Self-Configured 4-port 10/100/1000Base-TX (PoE+) + 2-port 1000Base-FX SFP Ethernet Switch

Optional Accessories (to be purchased separately)

SFP	(S)=SFP Option. Please select your SFP on our SFP Modules page at the back of the catalogue or our website www.ot-systems.com for details.
Power Supply	Please refer to the power supply information at the back of the catalogue, our website www.ot-systems.com , or consult OTS sales at sales@ot-systems.com for your power system design properly.

Package Checklist

■ IP CCTV Self-Configured PoE Switch	x 1
■ Wall Mount Plates	x 1
■ DIN Rail Clip	x 1
■ Quick Installation Guide	x 1



ET5200 Series

Hardened / Industrial IP CCTV Self-Configured 5-port 10/100/1000Base-TX Ethernet Switch



Features

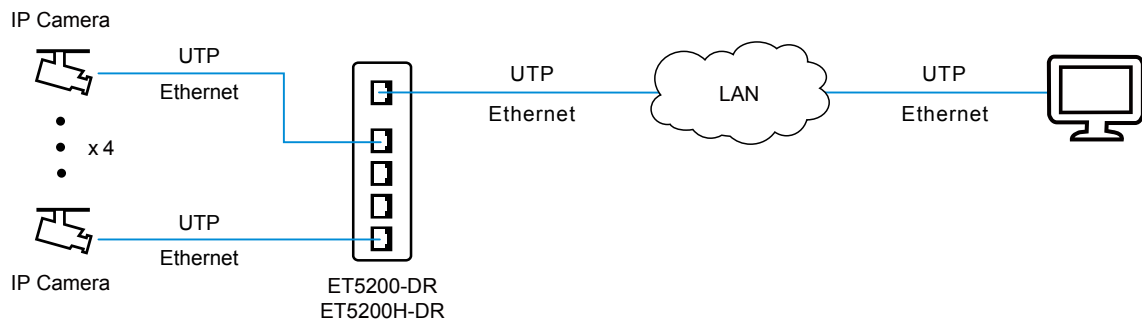
- ▶ 5 10/100/1000Base-TX
- ▶ Automatically support IGMP (Multicasting)
- ▶ 10/100/1000Mbps RJ45 Port Supports Full/Half-duplex, Auto-negotiation, Auto MDI/MDIX
- ▶ Supports 802.3x Flow control
- ▶ Supports Broadcast Storm Control
- ▶ 1M bits frame buffer memory
- ▶ 9K Bytes Jumbo Frame
- ▶ Supports Relay output for Power failure and port failure alarm
- ▶ Redundant Power Inputs
- ▶ Supports Wall-mount and DIN-Rail installation
- ▶ -40°C to 75°C (-40°F to 167°F) operating temperature



Warranty

- ▶ 5-Year Warranty

Typical Application



Specifications

Ethernet	
Standards	IEEE802.3 10Base-T IEEE802.3u 100Base-TX IEEE802.3ab 1000Base-TX
Processing Type	Store-and-Forward
Switch Fabric	10 Gbps
Forward Filter Rate	14,880pps (10Mbps) 148,800pps (100Mbps) 1,488,000pps (1000Mbps)
Packet Buffer Memory	1 Mbit
Max. Packet Length	9K Bytes
Address Table Size	2048K MAC Addresses
Connector	5 x RJ45
Electrical and Mechanical	
Input Power	12~48VDC, Redundant Power (6-pin Terminal Block)
Power Consumption	Max 5W
LED Indicators	
Power	Power1, Power2 Status
Ethernet (Per Port)	LINK/Activity

Specifications

Dimensions (W x D x H)	31 x 120 x 148 mm
Weight	0.5Kg
Casing	Aluminum Case
Mounting options	DIN-Rail / Wall-mount

Environmental

Operating Temperature	
Hardened	-40°C to 75°C (-40°F to 167°F)
Industrial	-10°C to 60°C (14°F to 140°F)
Storage Temperature	-40°C to 85°C (-40°F to 185°F)
Relative Humidity	5% to 95% non-condensing
MTBF	> 300,000 hrs

Regulatory Approvals

ISO9001
 EN55022:2010+AC: 2011, Class A
 EN 61000-3-2: 2006+A1: 2009+A2: 2009
 EN 61000-3-3: 2013
 EN55024:2010
 IEC 61000-4-2: 2008 (ESD)
 IEC 61000-4-3: 2010 (RS)
 IEC 61000-4-4: 2012 (EFT)
 IEC 61000-4-5: 2014 (Surge)
 IEC 61000-4-6: 2013 (CS)
 IEC 61000-4-8: 2009 (PFMF)

Ordering Information

Available Model	Description
-----------------	-------------

ET5200-DR	Industrial IP CCTV Self-Configured 5-port 10/100/1000Base-TX Ethernet Switch
ET5200H-DR	Hardened IP CCTV Self-Configured 5-port 10/100/1000Base-TX Ethernet Switch

Optional Accessories (to be purchased separately)

Power Supply Please refer to the power supply information at the back of the catalogue, our website www.ot-systems.com, or consult OTS sales at sales@ot-systems.com for your power system design properly.

Package Checklist

■ IP CCTV Self-Configured Network Switch	x 1
■ Wall Mount Plates	x 1
■ DIN Rail Clip	x 1
■ Quick Installation Guide	x 1



ET5200Pp Series

Hardened / Industrial IP CCTV Self-Configured 5-port 10/100/1000Base-TX (4-port PoE+) Ethernet Switch



Features

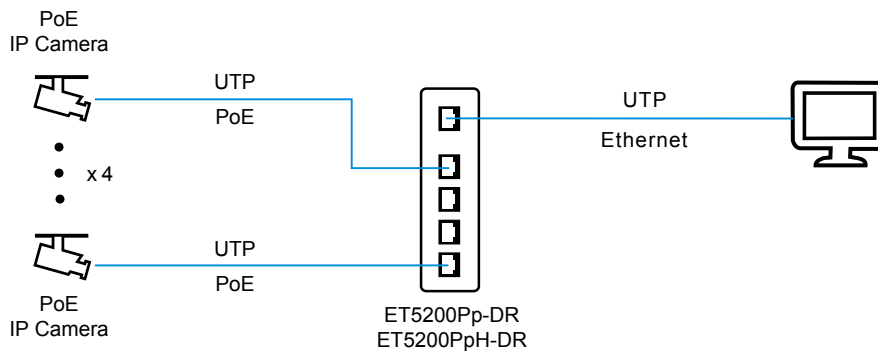
- ▶ 5 10/100/1000Base-TX
- ▶ Automatically support IGMP (Multicasting)
- ▶ 10/100/1000Mbps RJ45 Port Supports Full/Half-duplex, Auto-negotiation, Auto MDI/MDIX
- ▶ Supports IEEE 802.3at PoE+ (30W per port)
- ▶ Supports Light Hardware IGMP V1, V2, V3
- ▶ Supports 802.3x Flow control
- ▶ Supports Broadcast Storm Control
- ▶ 1M bits frame buffer memory
- ▶ 9K Bytes Jumbo Frame
- ▶ Supports Relay output for Power failure and port failure alarm
- ▶ Redundant Power Inputs
- ▶ Supports Wall-mount and DIN-Rail installation
- ▶ -40°C to 75°C (-40°F to 167°F) operating temperature



Warranty

- ▶ 5-Year Warranty

Typical Application



Specifications

Ethernet

Standards	IEEE802.3 10Base-T IEEE802.3u 100Base-TX IEEE802.3ab 1000Base-T IEEE802.3z 1000Base-X IEEE802.3af Power over Ethernet IEEE802.3at Power over Ethernet
Processing Type	Store-and-Forward
Switch Fabric	10 Gbps
Forward Filter Rate	14,880pps (10Mbps) 148,800pps (100Mbps) 1,488,000pps (1000Mbps)
Packet Buffer Memory	1 Mbit
Max. Packet Length	9K Bytes
Address Table Size	2048K MAC Addresses

Interface

Connector	5 x RJ45
-----------	----------

Specifications

Electrical and Mechanical

Input Power	48~57VDC, Redundant Power (6-pin Terminal Block)
Power Consumption	Max 5W (PoE not in use) Max 125W (PoE in use)
LED Indicators	
Power	Power1, Power2 Status
Ethernet (Per Port)	LINK/Activity
PoE	Per Port Status
Dimensions (W x D x H)	31 x 120 x 148 mm
Weight	0.5Kg
Casing	Aluminum Case
Mounting options	DIN-Rail / Wall-mount

Environmental

Operating Temperature	
Hardened	-40°C to 75°C (-40°F to 167°F)
Industrial	-10°C to 60°C (14°F to 140°F)
Storage Temperature	-40°C to 85°C (-40°F to 185°F)
Relative Humidity	5% to 95% non-condensing
MTBF	> 200,000 hrs

Regulatory Approvals

ISO9001
 EN55022:2010+AC: 2011, Class A
 EN 61000-3-2: 2006+A1: 2009+A2: 2009
 EN 61000-3-3: 2013
 EN55024:2010
 IEC 61000-4-2: 2008 (ESD)
 IEC 61000-4-3: 2010 (RS)
 IEC 61000-4-4: 2012 (EFT)
 IEC 61000-4-5: 2014 (Surge)
 IEC 61000-4-6: 2013 (CS)
 IEC 61000-4-8: 2009 (PFMF)

Ordering Information

Available Model	Description
ET5200Pp-DR	Industrial IP CCTV Self-Configured 5-port 10/100/1000Base-TX (4-port PoE+) Ethernet Switch
ET5200PpH-DR	Hardened IP CCTV Self-Configured 5-port 10/100/1000Base-TX (4-port PoE+) Ethernet Switch

Optional Accessories (to be purchased separately)

Power Supply Please refer to the power supply information at the back of the catalogue, our website www.ot-systems.com, or consult OTS sales at sales@ot-systems.com for your power system design properly.

Package Checklist

■ IP CCTV Self-Configured PoE Switch	x 1
■ Wall Mount Plates	x 1
■ DIN Rail Clip	x 1
■ Quick Installation Guide	x 1



ET5212Pp Series

Hardened / Industrial IP CCTV Self-Configured 5-port 10/100/1000Base-TX (4-port PoE+) + 1-port 1000Base-FX SFP Ethernet Switch



Features

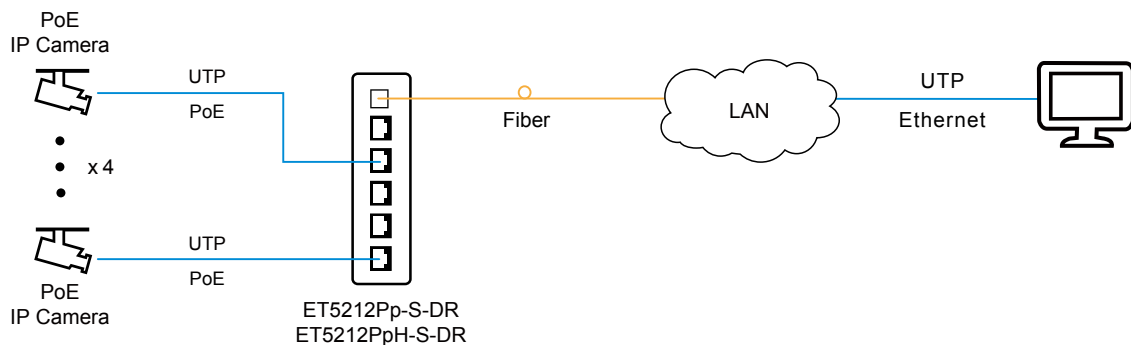
- ▶ 5 10/100/1000Base-TX + 1 1000Base-FX SFP
- ▶ Automatically support IGMP (Multicasting)
- ▶ 10/100/1000Mbps RJ45 Port Supports Full/Half-duplex, Auto-negotiation, Auto MDI/MDIX
- ▶ Supports IEEE 802.3at PoE+ (30W per port)
- ▶ Supports external 1000Base SFP
- ▶ Supports Light Hardware IGMP V1, V2, V3
- ▶ Supports 802.3x Flow control
- ▶ Supports Broadcast Storm Control
- ▶ 1M bits frame buffer memory
- ▶ 9K Bytes Jumbo Frame
- ▶ Supports Relay output for Power failure and port failure alarm
- ▶ Redundant Power Inputs
- ▶ Supports Wall-mount and DIN-Rail installation
- ▶ -40°C to 75°C (-40°F to 167°F) operating temperature



Warranty

- ▶ 5-Year Warranty

Typical Application



Specifications

Ethernet

Standards	IEEE802.3 10Base-T IEEE802.3u 100Base-TX IEEE802.3ab 1000Base-T IEEE802.3z 1000Base-X IEEE802.3af Power over Ethernet IEEE802.3at Power over Ethernet
Processing Type	Store-and-Forward
Switch Fabric	12 Gbps
Forward Filter Rate	14,880pps (10Mbps) 148,800pps (100Mbps) 1,488,000pps (1000Mbps)
Packet Buffer Memory	1 Mbit
Max. Packet Length	9K Bytes
Address Table Size	2048K MAC Addresses

Interface

Connector	5 x RJ45
Optical Port	1 x 1000Base-FX SFP

Specifications

Electrical and Mechanical

Input Power	48~57VDC, Redundant Power (6-pin Terminal Block)
Power Consumption	Max 5W (PoE not in use) Max 125W (PoE in use)
LED Indicators	
Power	Power1, Power2 Status
PoE	Per Port Status
Ethernet (Per Port)	LINK/Activity
SFP	LINK/Activity
Dimensions (W x D x H)	31 x 120 x 148 mm
Weight	0.5Kg
Casing	Aluminum Case
Mounting options	DIN-Rail / Wall-mount

Environmental

Operating Temperature	
Hardened	-40°C to 75°C (-40°F to 167°F)
Industrial	-10°C to 60°C (14°F to 140°F)
Storage Temperature	-40°C to 85°C (-40°F to 185°F)
Relative Humidity	5% to 95% non-condensing
MTBF	> 200,000 hrs

Regulatory Approvals

ISO9001
 EN55022:2010+AC: 2011, Class A
 EN 61000-3-2: 2006+A1: 2009+A2: 2009
 EN 61000-3-3: 2013
 EN55024:2010
 IEC 61000-4-2: 2008 (ESD)
 IEC 61000-4-3: 2010 (RS)
 IEC 61000-4-4: 2012 (EFT)
 IEC 61000-4-5: 2014 (Surge)
 IEC 61000-4-6: 2013 (CS)
 IEC 61000-4-8: 2009 (PFMF)

Ordering Information

Available Model	Description
ET5212Pp-S-DR	Industrial IP CCTV Self-Configured 5-port 10/100/1000Base-TX (4-port PoE+) + 1-port 1000Base-FX SFP Ethernet Switch
ET5212PpH-S-DR	Hardened IP CCTV Self-Configured 5-port 10/100/1000Base-TX (4-port PoE+) + 1-port 1000Base-FX SFP Ethernet Switch

Optional Accessories (to be purchased separately)

SFP	(S)=SFP Option. Please select your SFP on our SFP Modules page at the back of the catalogue or our website www.ot-systems.com for details.
Power Supply	Please refer to the power supply information at the back of the catalogue, our website www.ot-systems.com , or consult OTS sales at sales@ot-systems.com for your power system design properly.

Package Checklist

■ IP CCTV Self-Configured PoE Switch	x 1
■ Wall Mount Plates	x 1
■ DIN Rail Clip	x 1
■ Quick Installation Guide	x 1

