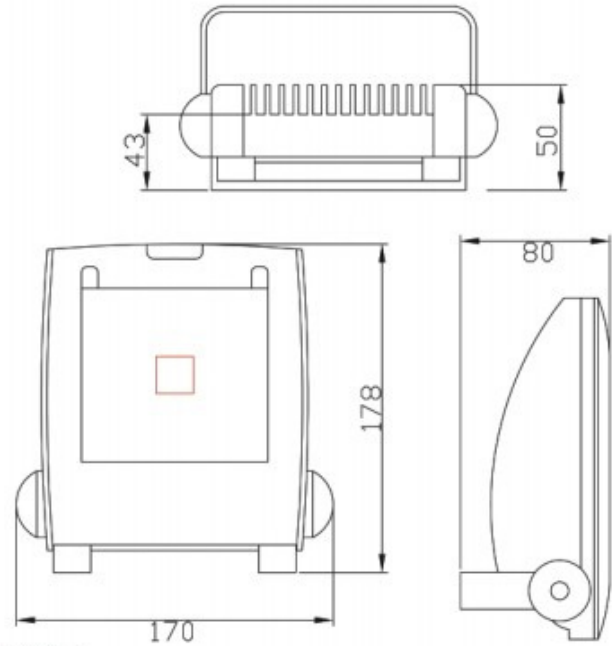


New Ground Glass Screen LED Floodlight

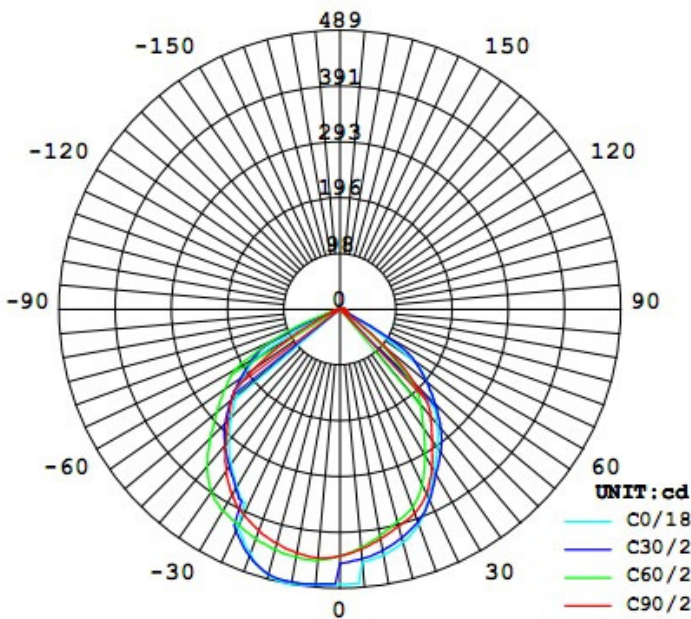
Available (10W, 30W, 50W, 80W, 100W)

Glass screen can open freely

GT-FL0007-10W



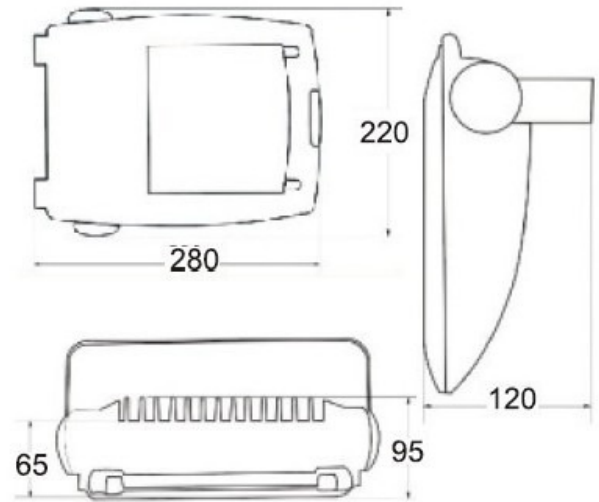
Unit:mm



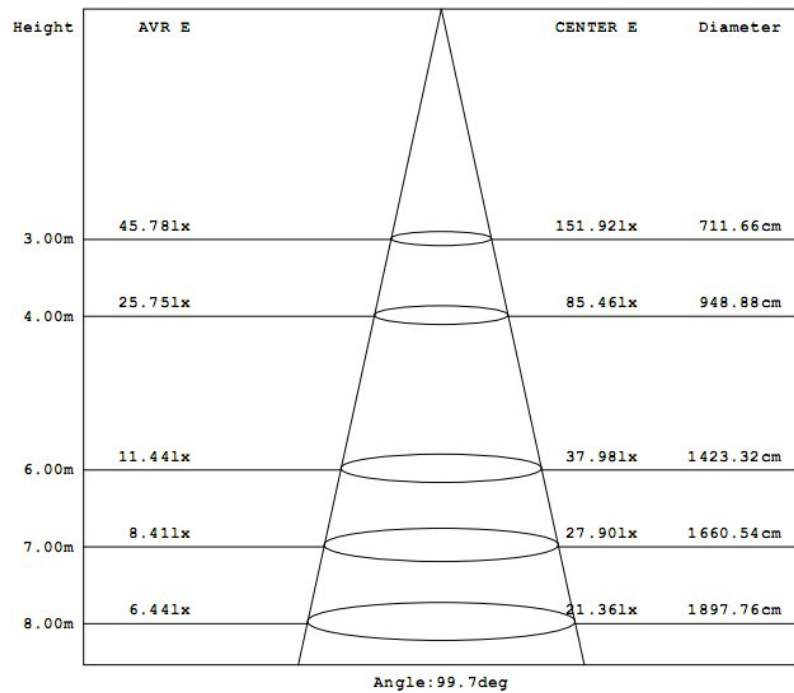
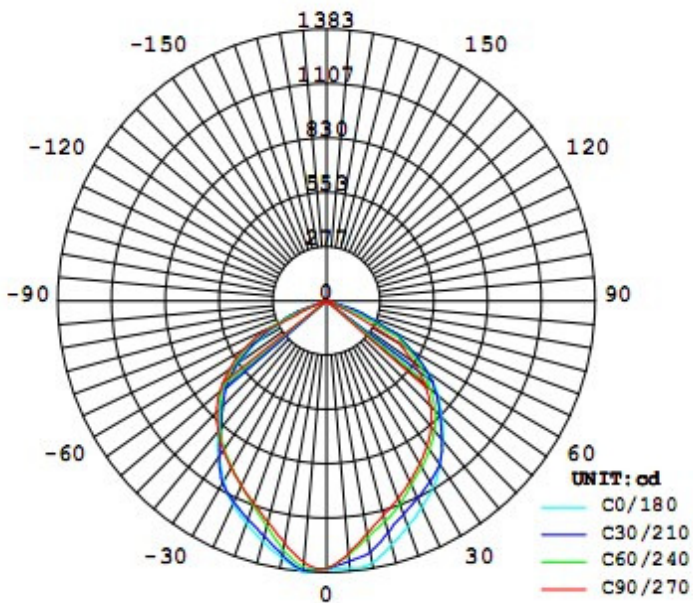
Height	AVR E	CENTER E	Diameter
1.00m	191.571x	482.491x	208.79cm
1.50m	85.141x	214.441x	313.18cm
2.00m	47.891x	120.621x	417.57cm
2.50m	30.651x	77.201x	521.97cm
3.00m	21.291x	53.611x	626.36cm

Angle: 92.5deg

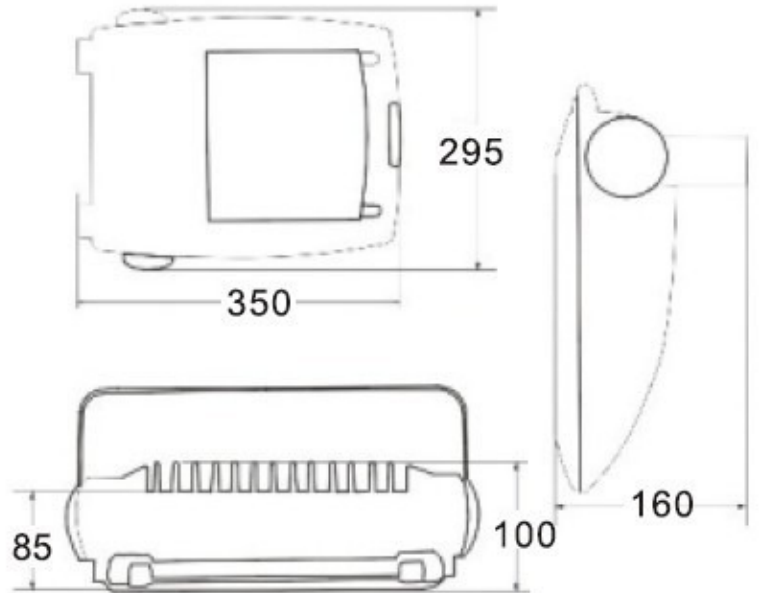
GT-FL0008-30W



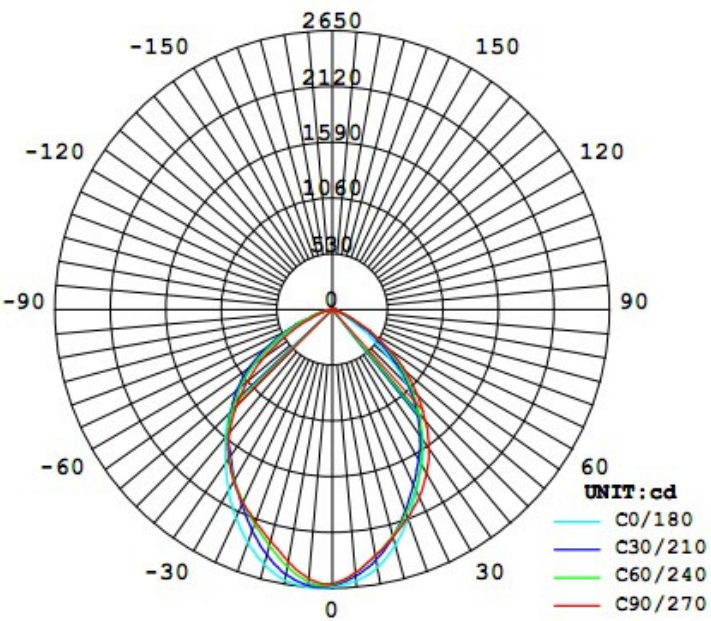
Unit:mm



GT-FL0009-50W



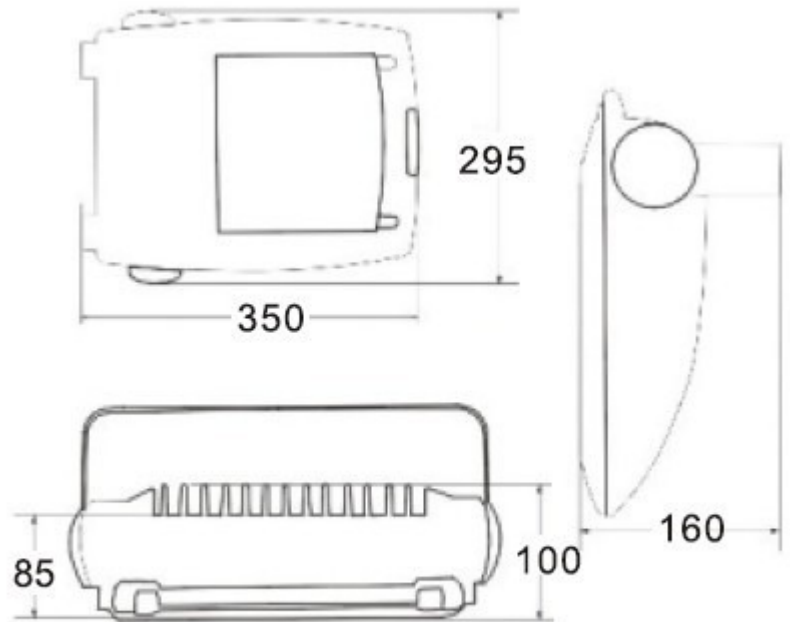
Unit:mm



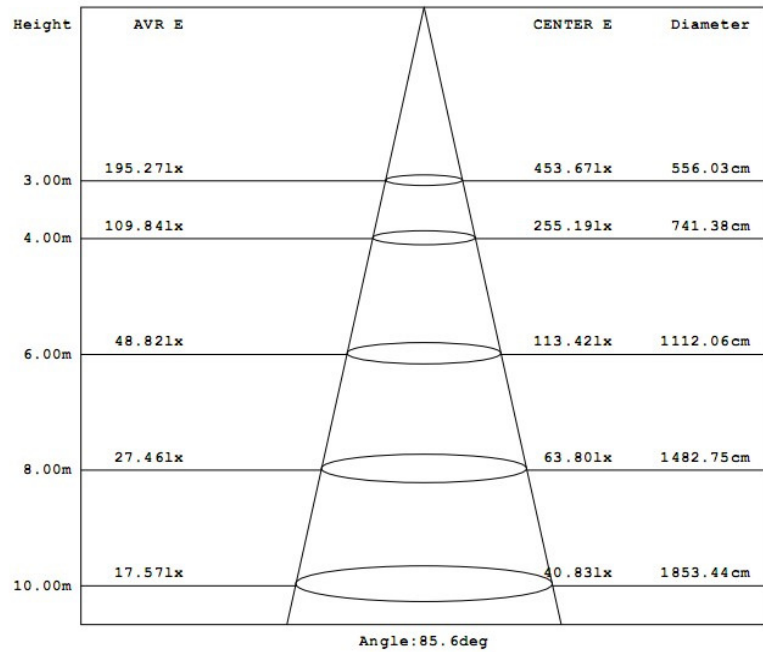
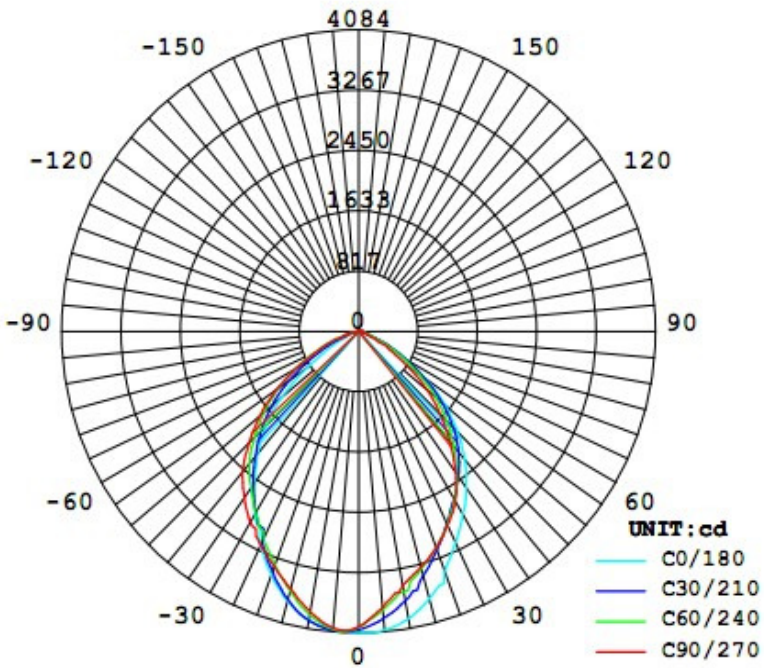
Height	AVR E	CENTER E	Diameter
3.00m	127.411x	292.981x	555.25cm
4.00m	71.671x	164.801x	740.34cm
6.00m	31.851x	73.241x	1110.51cm
7.00m	23.401x	53.811x	1295.59cm
8.00m	17.921x	41.201x	1480.68cm

Angle: 85.6deg

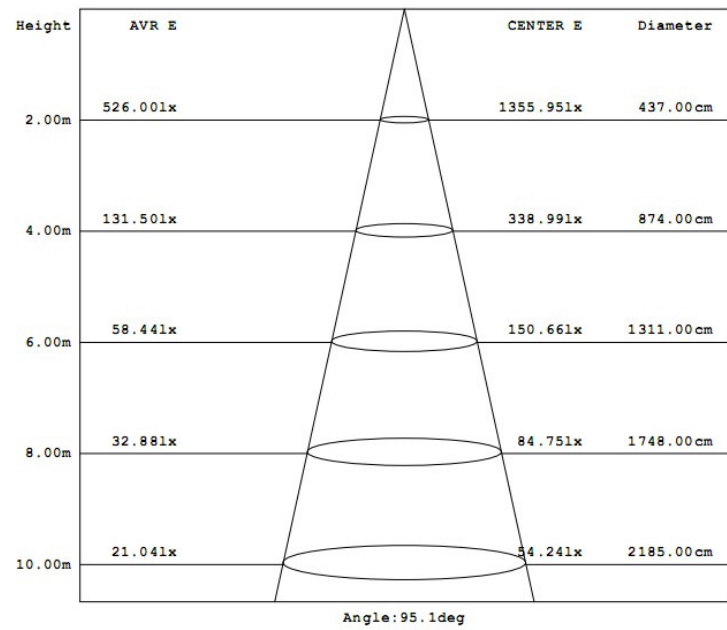
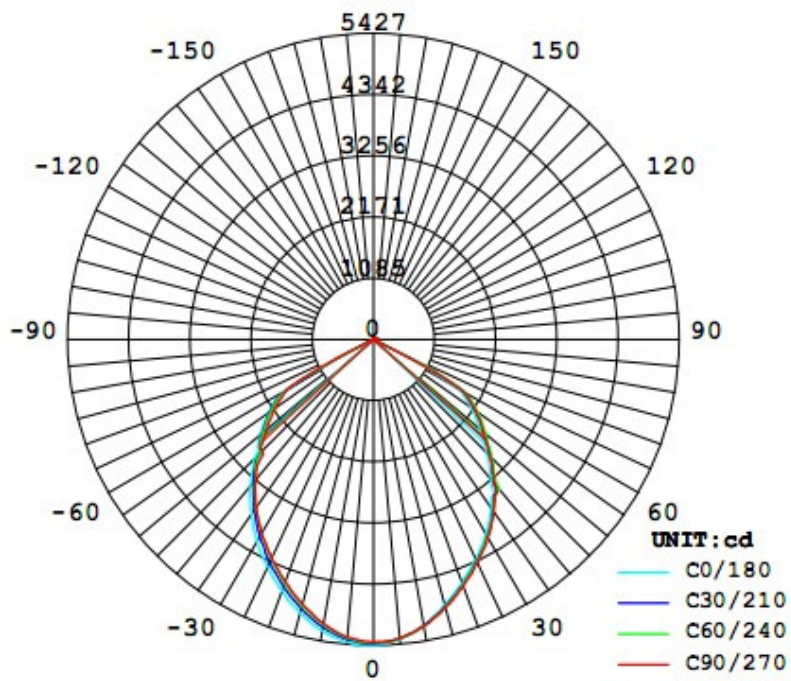
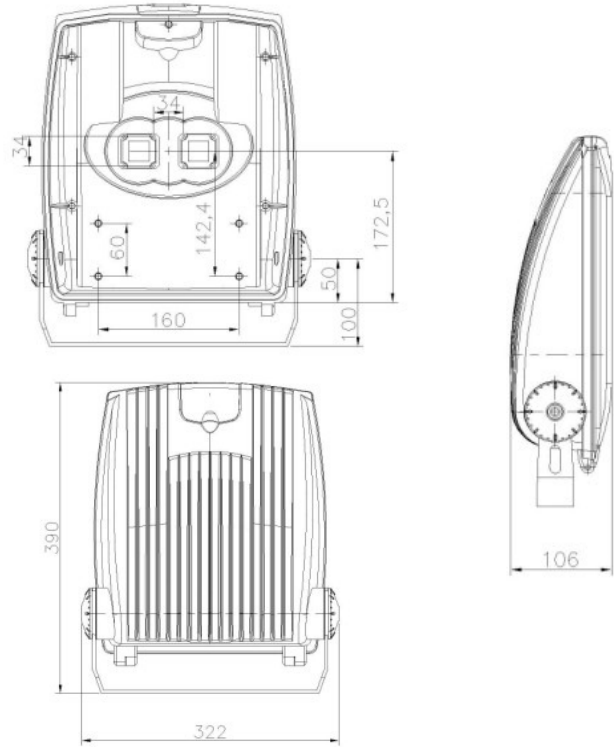
GT-FL0010-80W



Unit:mm



GT-FL0011-100W



Specifications

Model Number	GT-FL0007 (10W)	GT-FL0008 (30W)	GT-FL0009 (50W)	GT-FL0010 (80W)	GT-FL0011 (100W)
LED Consumption	10W	27W	47W	76W	98W
System Consumption	13W	33W	58W	85W	105W
Led Initial Flux	870LM	2740LM	4740LM	7360LM	9200LM
Input voltage	AC85-265V				
Frequency Range	50Hz~60Hz				
LED QTY	1 pc				2pcs
Color Temperature	Warm-White(2800-3200K) Natural-White(4000-4500K) Cold-White(5000-5500K)				
Total Harmonic Distortion	≤ 9 %				
Power Factor	> 0.98				
Power Efficiency	> 85 %				
Led Luminous Efficiency	90-100 Lm /W				
Lamp's Efficiency	> 85 %				
Color Rendering Index	Ra>75				
LED Junction Temperature	-40℃~55℃				
Storage Temperature	-25℃~+65℃				
Luminance Uniformity	> 0.6				
Power Line	Three-core rubber cable (VDE/H05RN-F 3G1.0mm ²),120°beam angle				
LED Brand	Bridge lux				
Shell Material	Aviation Aluminum				
IP Grade	IP65				
Net Weight	1.4Kg	2.5kg	3Kg	5Kg	7.5Kg
Lamp Size	19*9*22.5mm	28*12*34mm	35*15*42mm	35*15*42mm	390*322*106

Features

- Utilizes the special design of multichip single module, imported high brightness semiconductor Bridge lux chips
- High heat conductivity, low luminous decay, pure light color, and no ghosting.
- The LED is closely connected to the surface.
- The heat from LED is removed through the heat dissipation wing and also by the air ventilation.
- The design ensures a 50,000 hours life-span for the LED.
- With the excellent integration between the 5mm high intensity tempered glass and the light housing, it can be used under the high humidity environment.
- The lights are sealed by age-resistant silicone rubber.
- Uses imported high purity aluminum from Germany as the reflector. This Kind of reflector has high reflecting efficiency, and it can make sure the luminous flux.

Related Products

GT-FL0001-10W
 GT-FL0002-30W
 GT-FL0003-30W
 GT-FL0004-50W
 GT-FL0005-50W
 GT-FL0006-80W



Application

LED Floodlight use multi-chip LED integrated single module design, with the first-class aluminum alloy housing, acrylic glass cover and high efficiency imported LED driver, can be indoor or outdoor use. It is applied to building lighting, Gas station, Road, Bridge, plant, corridor, stage, hotel, stadium, parking wide places which needed.

Package

